

Specifications (23°C ± 5°C)

Please refer to users manual for more detailed and up-to-date description of specification.

**AC Watt (50 or 60 Hz, Auto Range, PF 0.8 to 1, CT = 1, Accuracy of Readings)
Model 6801 (0 to 100A), Model 6802 (0 to 1000A)**

Range	Resolution	Accuracy (6801)	Accuracy (6802)
100.0 - 999.9 W	0.1W	±1% ± 8dgt	±1% ± 8dgt
1.000 - 9.999 KW	0.001 KW	±1% ± 8dgt	±1% ± 8dgt
10.00 - 99.99 KW	0.01 KW	±1% ± 8dgt	±1% ± 8dgt
100.0 - 999.9 KW	0.1 KW	±1% ± 8dgt	±1% ± 8dgt
1000 - 9999 KW	1 KW	±1% ± 8dgt	±1% ± 8dgt
0.000MW - 9.999MW	0.001MW	±1% ± 8dgt	±1% ± 8dgt

AC Current (50 or 60 Hz, True RMS)

Range (Model 6801)	Range (Model 6802)	Resolution	Accuracy of Readings
0.0 - 999.9mA	—	0.1mA	±0.5% ± 8dgt
0.0 - 9.999A	—	0.001A	±0.5% ± 8dgt
0.00 - 60.00A	0.00 - 99.99A	0.01A	±0.5% ± 8dgt
60.0 - 100.0A	0.0 - 999.9A	0.1A	±0.5% ± 8dgt

AC Voltage (50 or 60 Hz, True RMS, Accuracy of Readings)

Range	Resolution	Accuracy	Range	Resolution	Accuracy
3V - 250V	0.1 V	±0.5% ± 8dgt	250V - 600V	0.1 V	±0.5% ± 8dgt

Harmonics of AC Voltage in % and Magnitude (1 to 99th order)

Range	Resolution	Accuracy in %	Resolution	Accuracy in Magnitude
50V - 600V	0.1 %	±1.0%	0.1 V	±1.0% ± 0.8V

Harmonics of ACA in % Percentage and Magnitude (1 to 99th order, Accuracy of Readings)

Range (6801)	Range (6802)	Res.	Accuracy (%)	Res.	Accuracy
0.0 - 999.9mA	—	0.1 %	±1.0%	0.1mA	±1.0% ± 0.8mA
0.0 - 9.999A	—	0.1 %	±1.0%	1mA	±1.0% ± 8mA
0.00 - 60.00A	0.00 - 99.99A	0.1 %	±1.0%	0.01A	±1.0% ± 0.08A
60.0 - 100.0A	0.0 - 999.9A	0.1 %	±1.0%	0.1A	±1.0% ± 0.8A

Power Factor (PF)

Range	Resolution	Accuracy
0.00 - 1.00	0.01	±1.5% ± 8dgt

Phase Angle (Φ)

Range	Resolution	Accuracy
-180° to 180°	0.1°	±1° ± 2dgt

Total Harmonic Distortion (THD-F, 1 to 99th order)

Range	Resolution	Accuracy of Readings
0.0 - 999.9 %	0.1%	±1.0% ± 8digits

Conductor Size (6801): Φ 30mm (approx.)

Battery Type: 1.5V SUM-3 x 8

Power Consumption: 140mA (approx.)

External DC Input: DC 12V adaptor

(for safety purpose, the adaptor must be certified with 600V isolation protection)

No. Of Samples/Period: 1024

Operating Temperature: -10°C to 50°C

Storage Temperature: -20°C to 60°C

Weight (6800): 1160g (batteries included)

Weight (6801): 200g

Dimension (6800): 257 (L) x 155 (W) x 57(H) mm, 10.1" (L) x 6.1" (W) x 2.3" (H)

Dimension (6801): 210 (L) x 62 (W) x 36 (H) mm, 8.3" (L) x 2.5" (W) x 1.4" (H)

Dimension (6802): 244 (L) x 97 (W) x 46 (H) mm, 9.6" (L) x 3.8" (W) x 1.8" (H)

Accessories: test leads x 4, alligator clips x 4, Carrying bag x 1, Users manual x 1, Batteries 1.5V x 8

Conductor Size (6802): Φ 55mm (approx.), 64 X 24mm (Bus Bar)

Display: Dot Matrix LCD with backlight

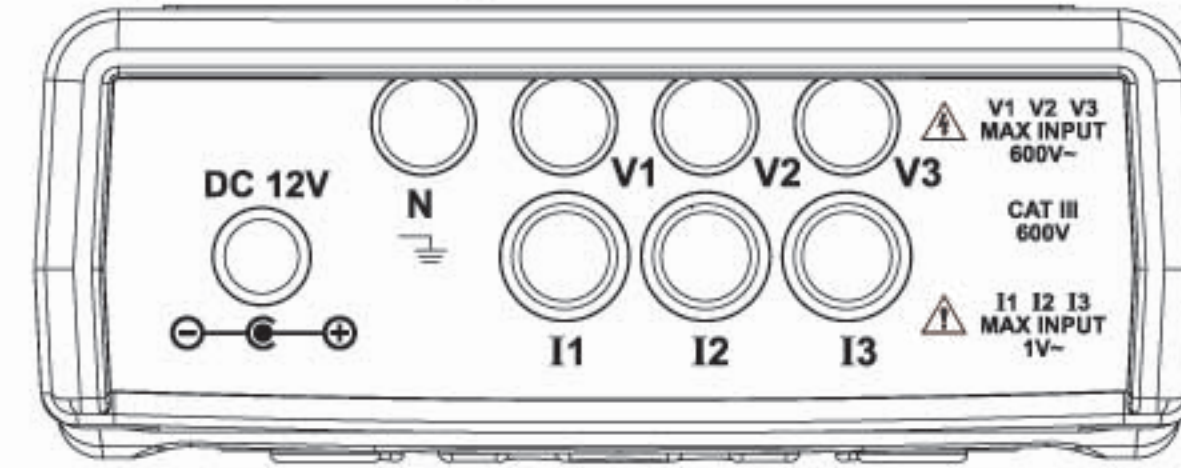
LCD update rate: 1 times / sec.

Operating Humidity: < 85% relative

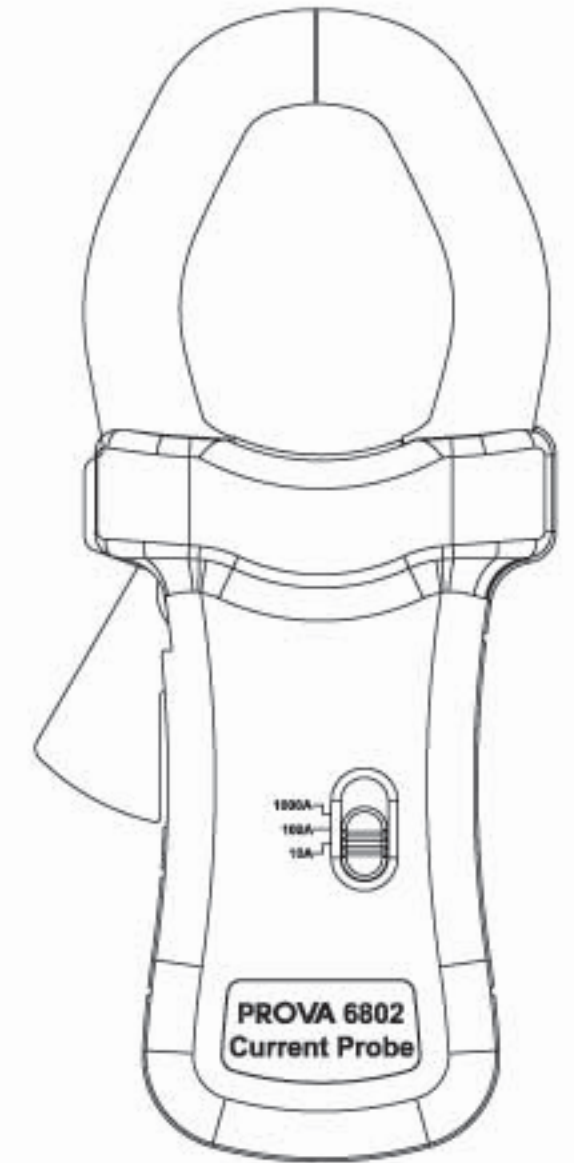
Storage Humidity: < 75% relative

Weight (6802): 600g

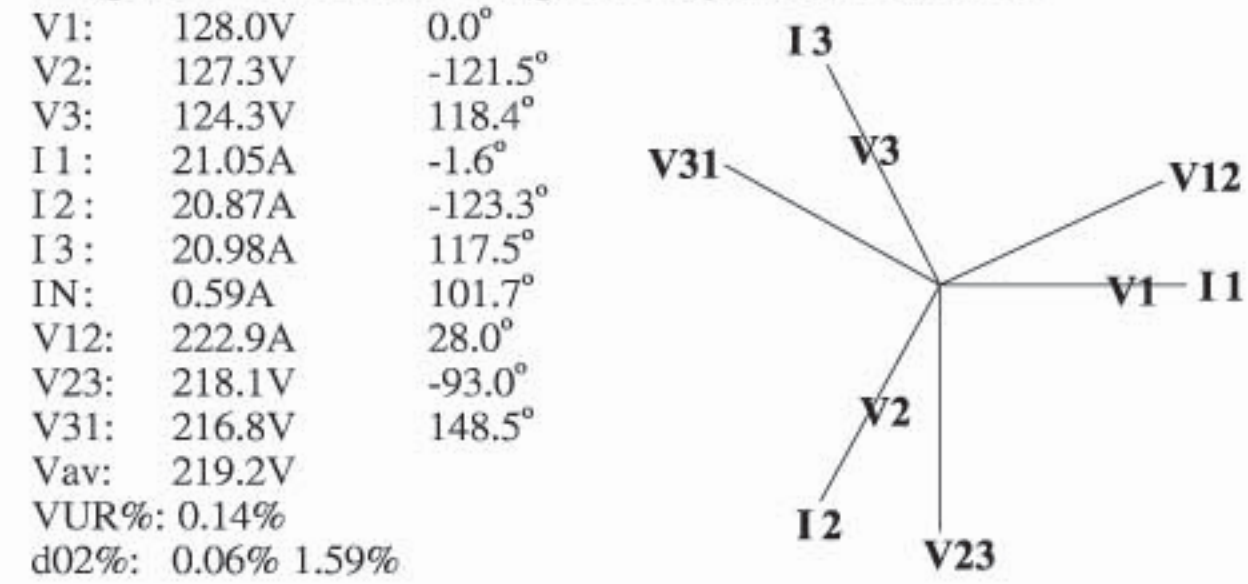
Voltage and Current Input Panel



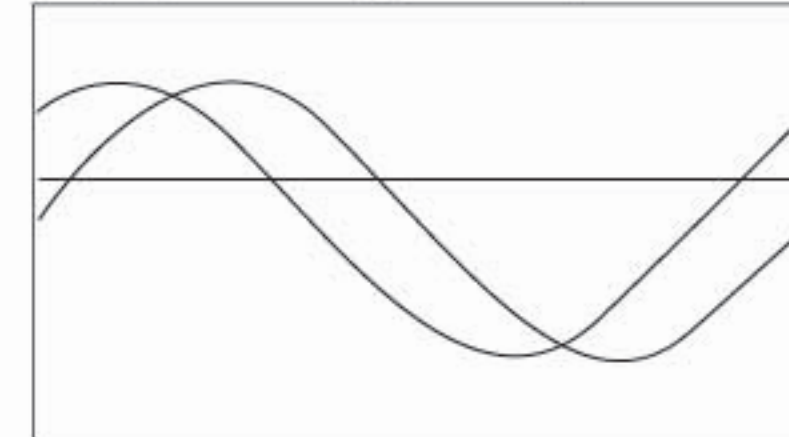
6802 Current Probe (1000A)



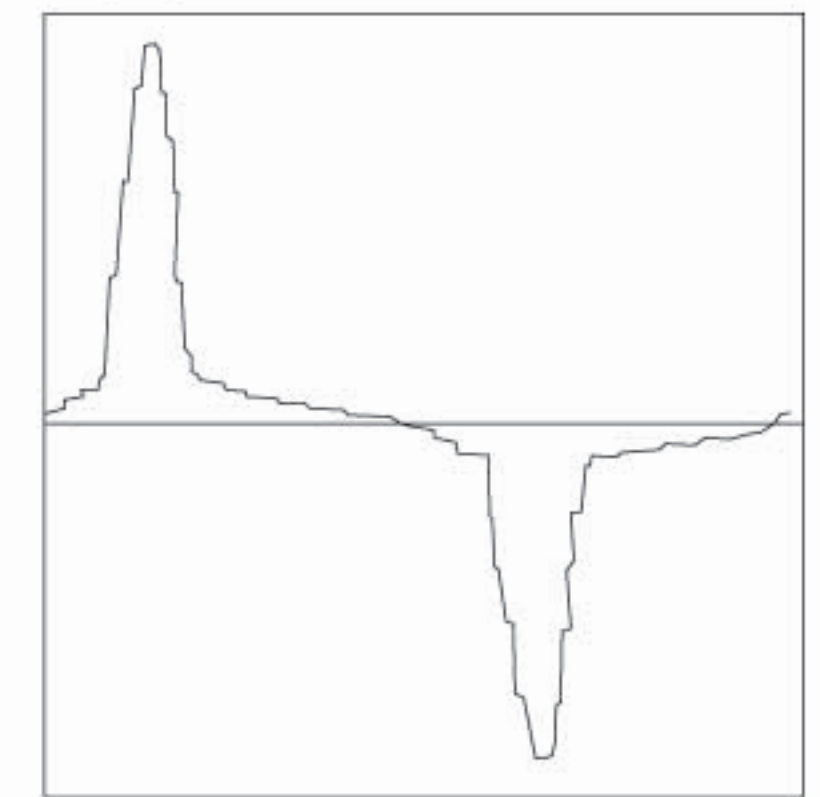
Graphic 3P4W Phasor Diagram + System Parameters



Display of Overlapped Voltage and Current Waveform



Display of 50 Harmonics with Waveform



Detection of Maximum 28 Transients with Programmable Threshold

No.	Elapsed Time (hh:mm:ss)	Cycles	No.	Elapsed Time (hh:mm:ss)	Cycles
1	01:01:15	20	2	01:07:12	1
3	02:03:22	5	4	02:05:11	10
5	03:02:11	10	6	03:05:22	3
7	09:01:23	200	8	09:52:24	9
9	10:03:24	5	10	10:04:01	12
11	11:03:03	5877	12	11:52:05	4
13	12:01:03	12	14	12:03:05	2
15	12:11:15	20	16	12:17:12	1
17	12:23:22	5	18	12:25:11	10
19	14:02:11	10	20	14:05:22	3
21	15:01:23	200	22	15:52:24	9
23	17:03:24	5	24	17:04:01	12
25	19:03:03	7	26	19:52:05	4
27	21:01:03	12	28	21:03:05	2

Ref: 110.0V Sd (Threshold)%: ±5%

